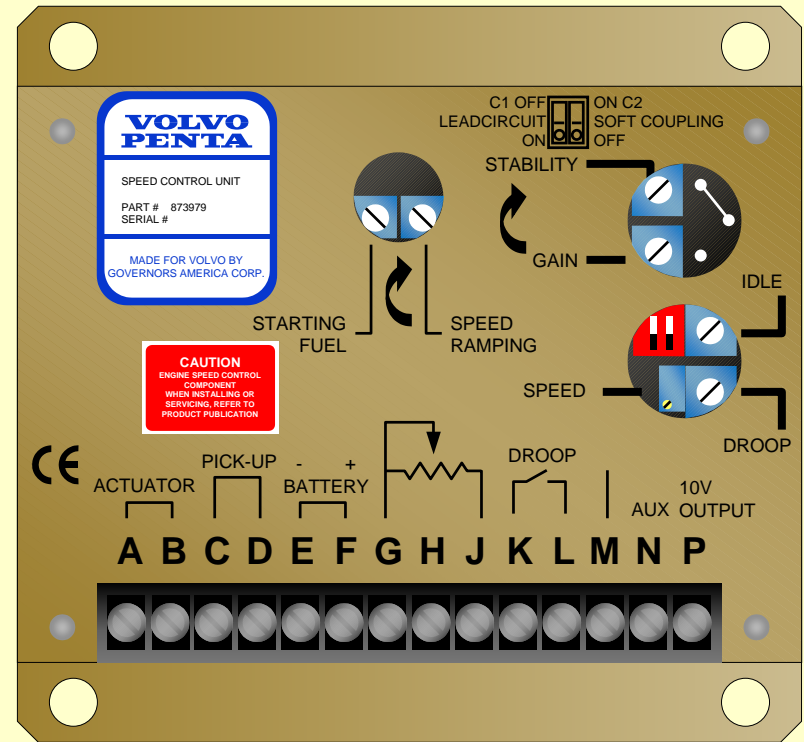
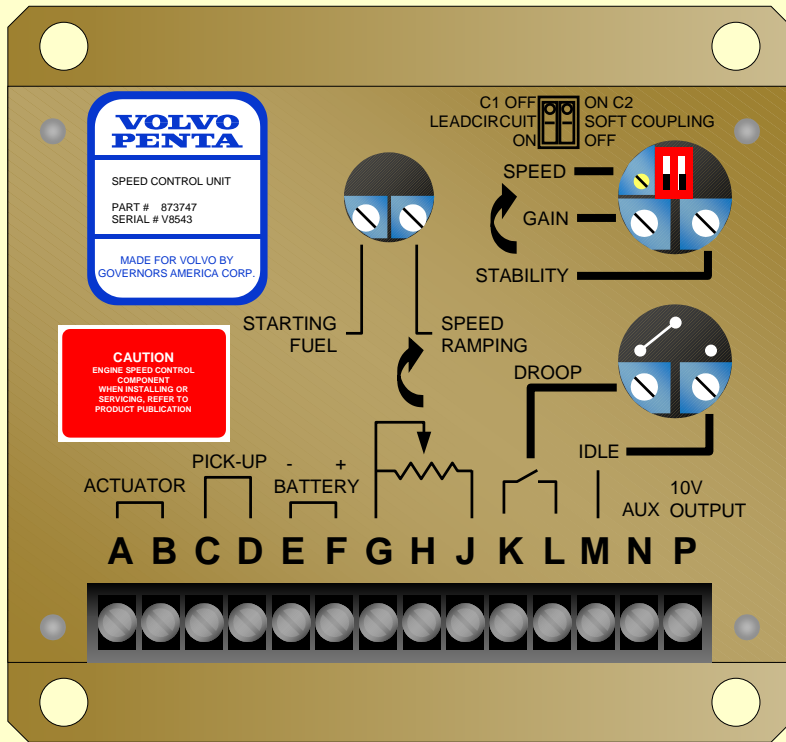


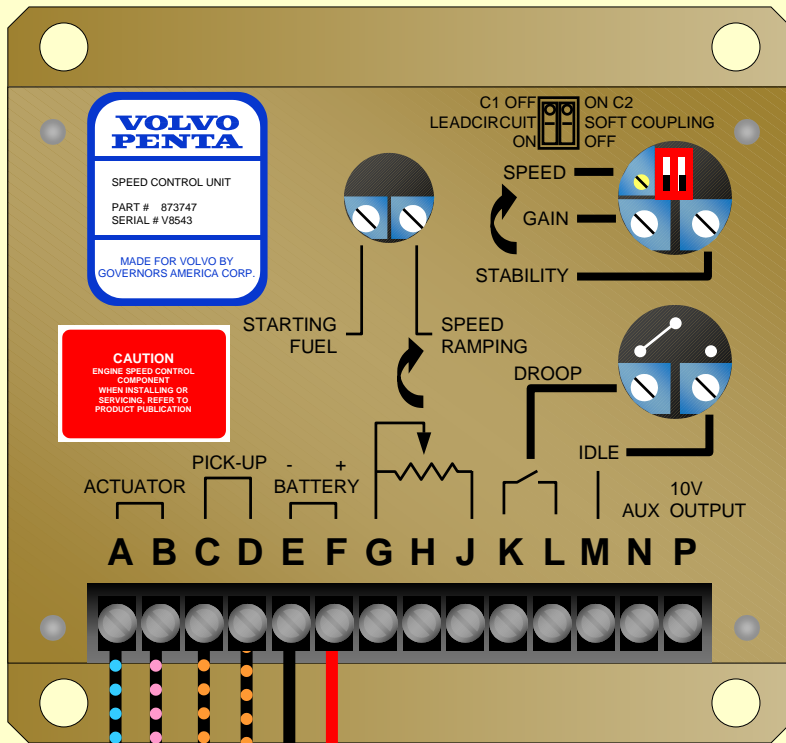
ESD5500 / 5500E

P/N 873747

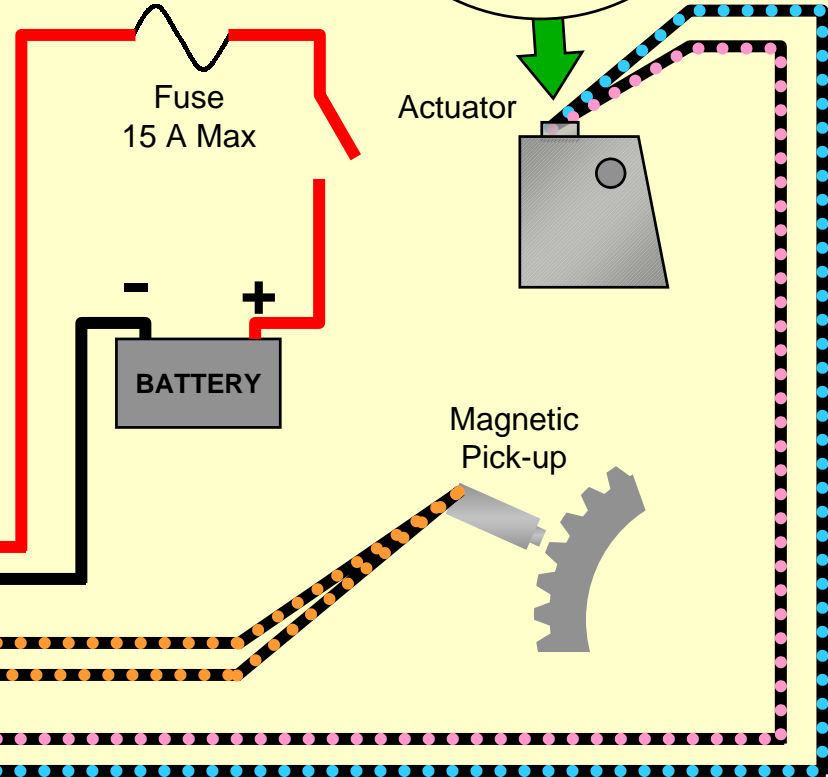
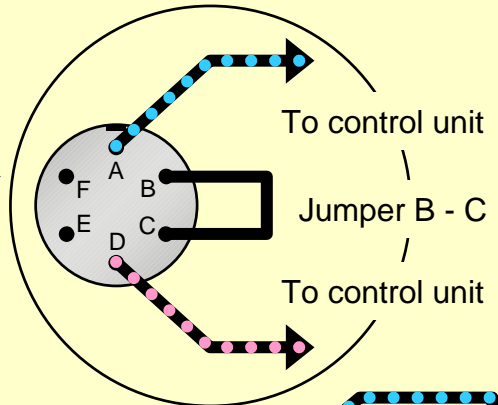
P/N 873979



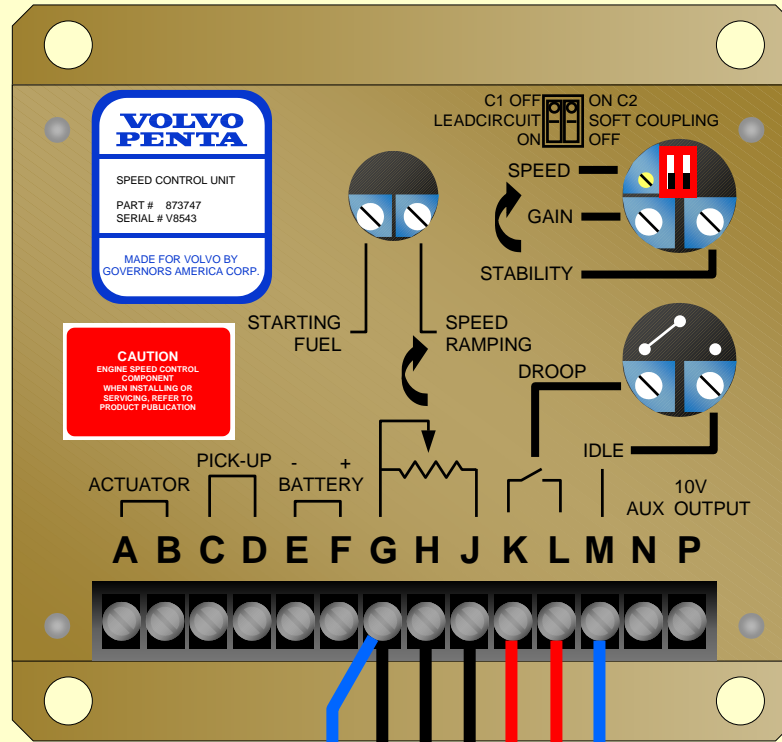
ESD5500



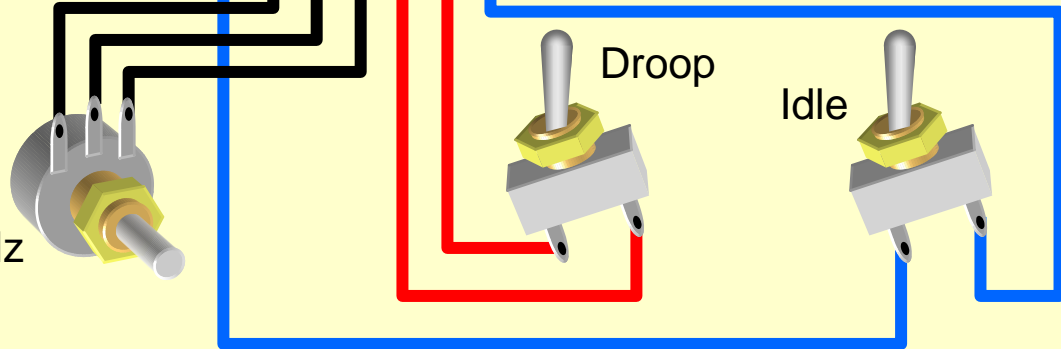
24 V



ESD5500

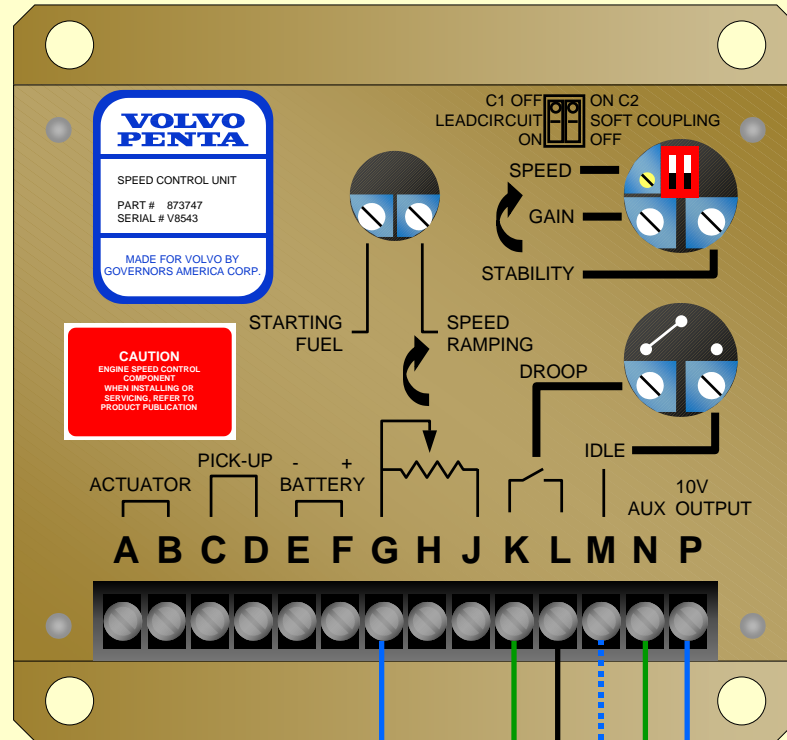


Speed trim
5 k Ω
Range ± 200 Hz



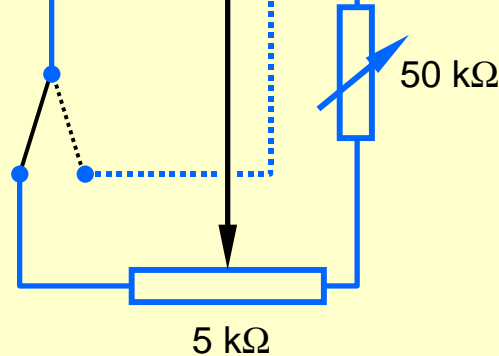
ESD5500

Remote variable speed control

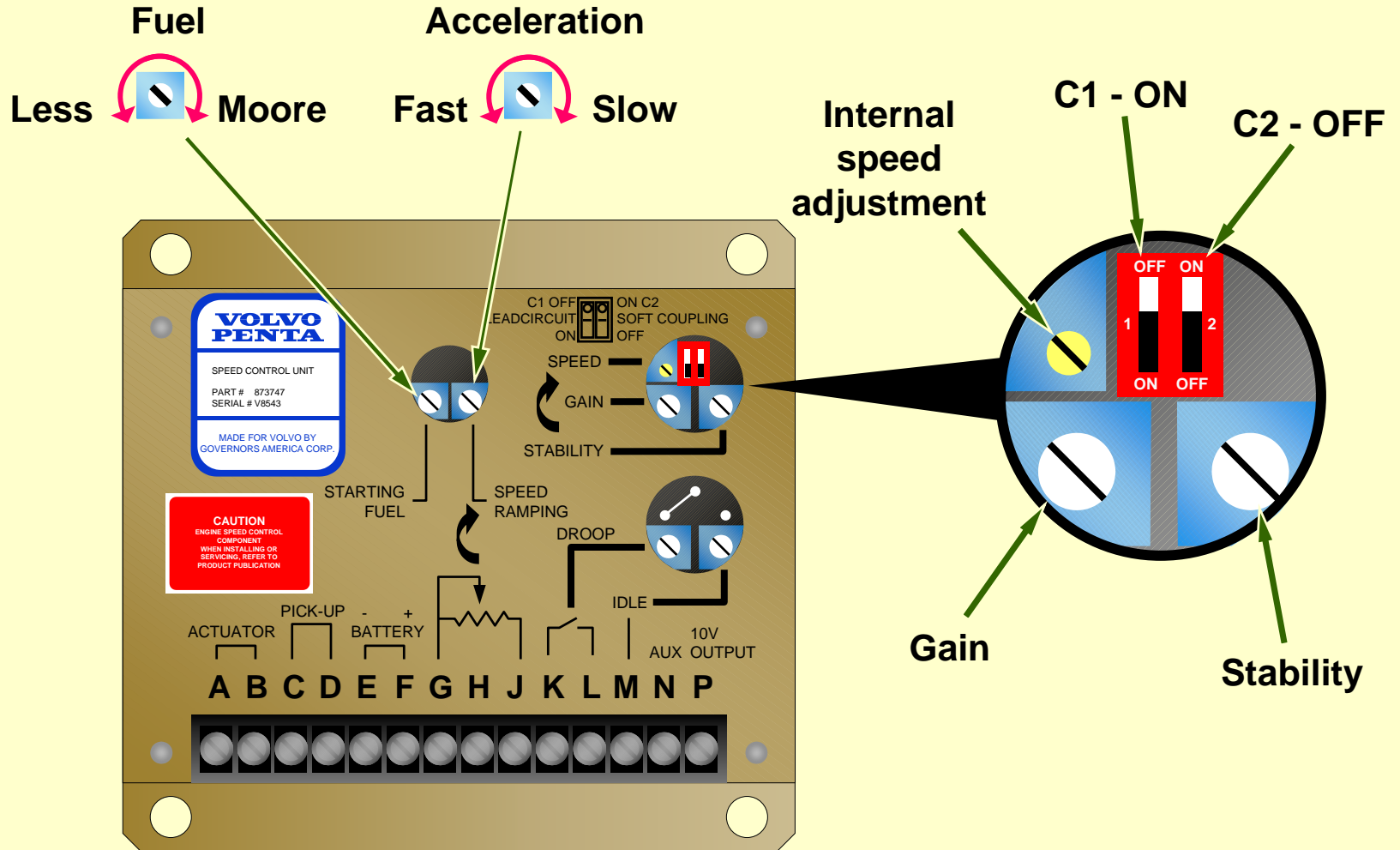


Adjust max speed on the control unit speed pot. Adjust low idle on the 50 kΩ with the 5 kΩ at zero pos. The full speed range can then be adjusted with the 5 kΩ.

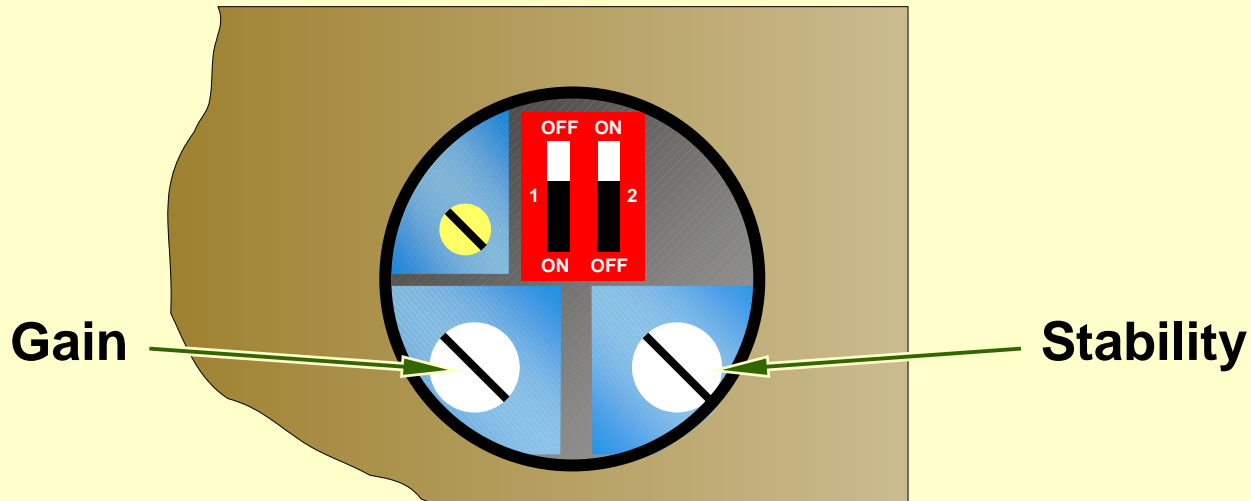
Connect **G** and **M** for low idle



ESD5500



ESD5500



Frequency

